



Walcro®

150 Metering Valve Series



SHOWER

Ideal for Prisons, Police stations and any high risk vandalism applications. Requires a blended water supply using a Rada mixing valve. Ø 15mm BSP

WALCRO 150 NHS with vandal resistant sleeve for building into wall.



SHOWER

Features a chrome wall cover plate for medium to low vandalism applications. Requires a blended water supply using a Rada mixing valve. Ø 15mm BSP

WALCRO 150 BNH with concealing wall cover plate for building into wall.



SHOWER HEAD

Ideal for vandal resistant showering. Features a jet action water spray and thus is not susceptible to nozzle blocking. Inlet connection Ø 15mm BSP Female.

WALCRO CIRS-V2

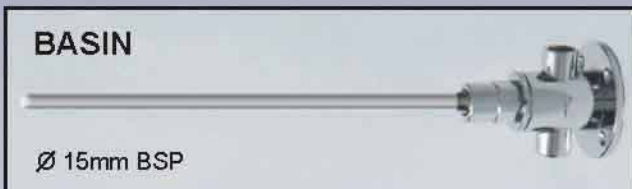
Vandal resistant jet spray shower rose.



CEILING SHOWER HEAD

Ideal for high vandalism shower applications such as Prison and Police stations where sleeve is built into the ceiling. Features a jet action water spray and is thus not susceptible to nozzle blocking. Inlet connection Ø 15mm BSP Male.

WALCRO CIRS - HEXS overhead ceiling shower head with vandal resistant sleeve



BASIN

Ø 15mm BSP

WALCRO 150 K knee operated metering valve with lever activation for mounting under basin. Ideal for food preparation.



A Walcro Rada mixing valve is recommended for the blended water supply.



WALCRO

SSP/15 Basin Spout

High-neck basin spout particularly suited for use with Walcro 150K knee operated metering valve for various food preparation industries. Connection Ø 15mm BSP



Robust enough for prisons, gentle enough for hospitals



Saving every precious water drop



Affordable hygiene promotion for a better quality of life

Walker Croswell

Walker Croswell (Pty) Ltd PO Box 1018, Bromhof, 2154.
Walcro House, Bush Hill Office Park, Rachelle Close,
Ostrich Road (corner Hawken), Bromhof,
Randburg, Gauteng, South Africa.
Telephone: 011 793-1031 Fax: 011 793-1092
Cape Town: 021 797-4327 or Cell: 072 821 4463
e-mail: walcro@africa.com Website: www.walcro.co.za



Made in South Africa

Walcro®

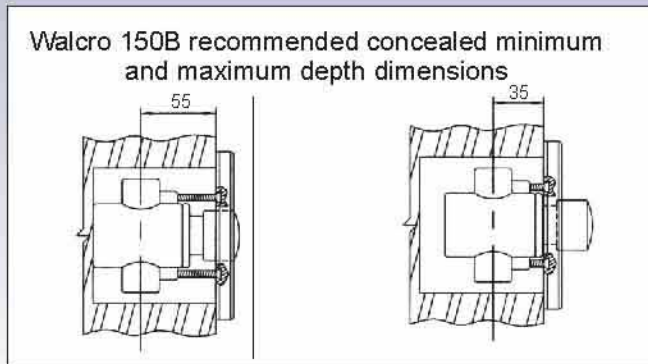
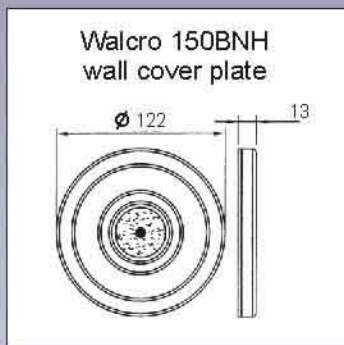
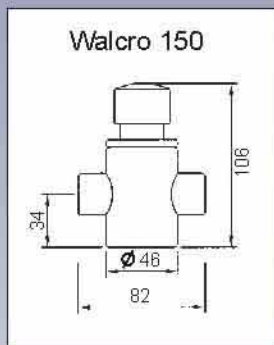
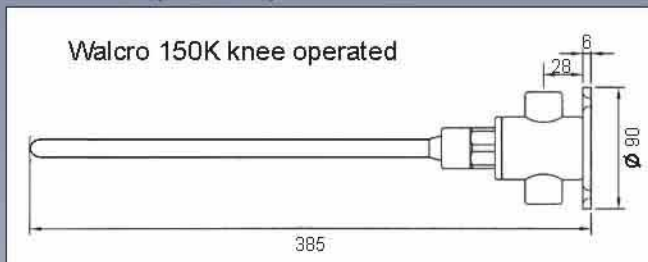
150 Metering Valve Series



Blended water supply

The showering and hand-washing metering valves are generally supplied with blended water from a Rada thermoscopic mixing valve. Please contact us for sizing assistance. Recommend a Walcro strainer is fitted to the main water supply.

Dimensions (all in mm)



SPECIFICATIONS

General Description:

15 mm BSP, vandal resistant, self closing, time flow metering valve. Manufactured locally from DZR brass. Ideal for water saving.

Operating range:

Pressure range: 30kPa to 600kPa,
Maximum temperature: 65°C.

Maintenance:

All working parts are housed in a single, easy to replace cartridge. Spares are readily available as this is a South African manufactured product.

WALCRO 150 NHS Shower valve

Built in, shower metering valve with vandal resistant sleeve and no hold feature. The valve and sleeve is built-into the wall and the sleeve provides a restricted space where a cylindrical tool is inserted to remove cartridge. Ideal for high vandalism applications.

WALCRO 150 BNH Shower valve

As above for 150 NHS, but has a chrome wall cover instead of a sleeve for more aesthetics. Medium to low risk applications.



WALCRO 150 K Basin valve

Knee operated metering valve with lever activation for mounting under basin. Ideal for no-touch hand washing in the food preparation industry. Features internal flow control. Recommended to be used with Rada mixing valve and Walcro IPWS spout.

Water quality:

The 150 range is suitable for potable type quality water supply. It is strongly recommended that a Walcro strainer be fitted on the water supply to remove any dirt which may enter the system.

Urinal Valves

The 150 range can also be used for urinal valves, however the internal cartridge and part numbers are different. Please see our urinal leaflet or contact us for more information.

Walker Croswell

Walker Croswell (Pty) Ltd PO Box 1018, Bromhof, 2154.
Walcro House, Bush Hill Office Park, Rachele Close,
Ostrich Road (corner Hawken), Bromhof,
Randburg, Gauteng, South Africa.
Telephone: 011 793-1031 Fax: 011 793-1092
Cape Town: 021 797-4327 or Cell: 072 821 4463
e-mail: walcro@jafica.com Website: www.walcro.co.za